

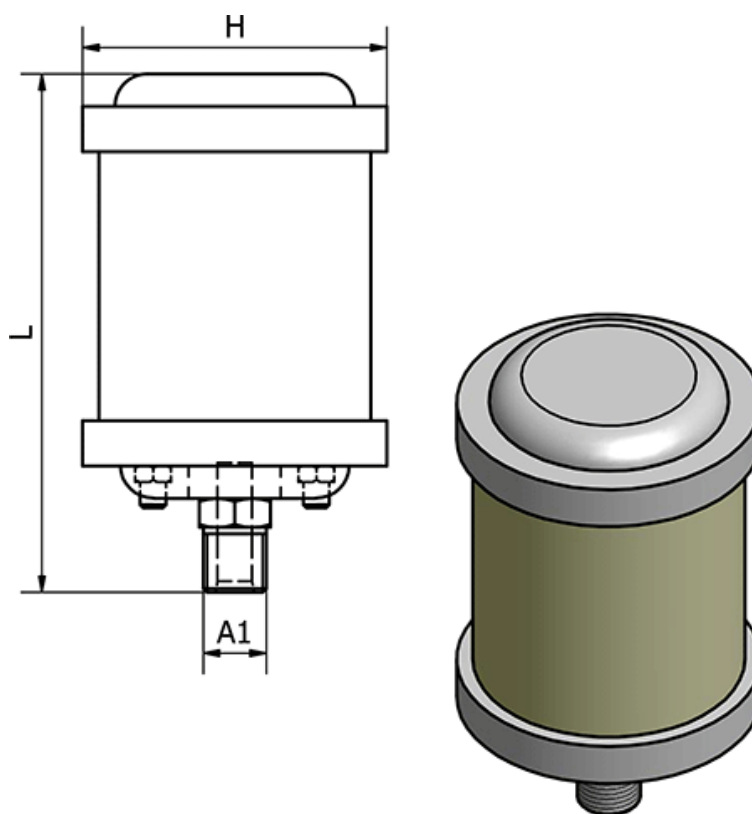
# Data Sheet



Article number: 586LX20

Description: Silencers LX-20, - G 2"  
Lyddæmper med Hi-flow

## Measures



Flow l/min at 5 bar = 83000

H = 133.5

L = 479

Thread A1 = G 2"